

SR Series – Part Numbering / Specifications



Features

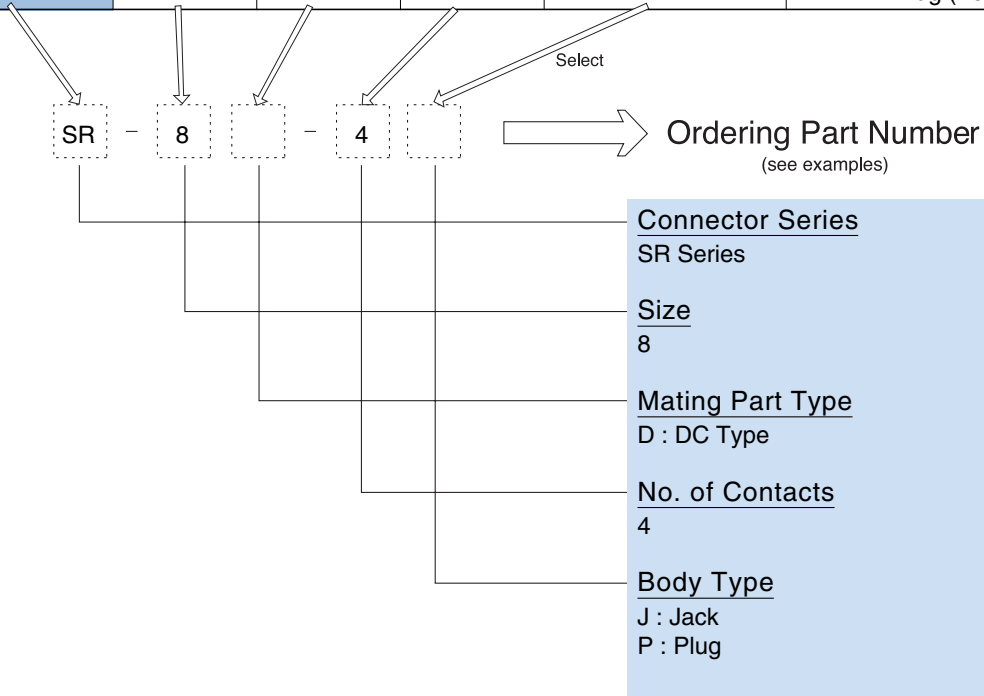
- Protection rating of IP67
- M12 threaded locking

Applications

- Factory Automation and Sensors
- Process control
- Industrial instrumentation
- Commercial electronics

Part Numbering

Part Number	Size	Mating Part Type	No. of Contacts	Suffix (Contact Type)	Notes
SR	8	D	4	J	Jack (Male contact)
				P	Plug (Female contact)



Examples

SR - 8D - 4J







SR series - Size 8 Jack - 8 contact pin

SR - 8D - 4P

SR series - Size 8 Plug - 8 contact socket

Specifications subject to change without notice. Consult Sam Woo Electronics for the latest specifications.

Major Performances / Contact Arrangements

Size/No of Contacts	Size 8						
Performance	4						
Withstanding Voltage (per min)	AC 1500V						
Rated Current	3A						
Rated Voltage	DC 125V						
Insulation Resistance (Minimum)	100M Ω or more at DC500V						
Contact Resistance (Maximum)	$\leq 10m\Omega$						
IP Protection Rating	IP 67						
Contact Arrangement	<table border="1"> <thead> <tr> <th></th> <th>Male</th> <th>Female</th> </tr> </thead> <tbody> <tr> <td>DC type</td> <td></td> <td></td> </tr> </tbody> </table> <p>Note : Figure pin No.</p>		Male	Female	DC type		
	Male	Female					
DC type							

- ¹ Withstanding voltage is the tested voltage value in this table.
² Insulation resistance is measured at DC 100V.
³ Contact resistance is measured at DC 1A.
 • Values are from tested items and may not apply to all connectors.
 • Specifications subject to change without notice.
 • Consult Sam Woo Electronics for the latest specifications.

Material Used / Finish

	Material	Finish
Cap	Brass	Nikel
Insulator	PBT	Black
Outer sheath	PVC	Black
Contacts	Pin	Brass
	Socket	Phosphor bronze
		Gold or Silver plate

Standard Cable Information

Standard Cable Specifications

Conductor AWG	20
No. of wires	4 wires
Outer dia.	$\varnothing 6.0 \pm 0.2$
Color	Gray

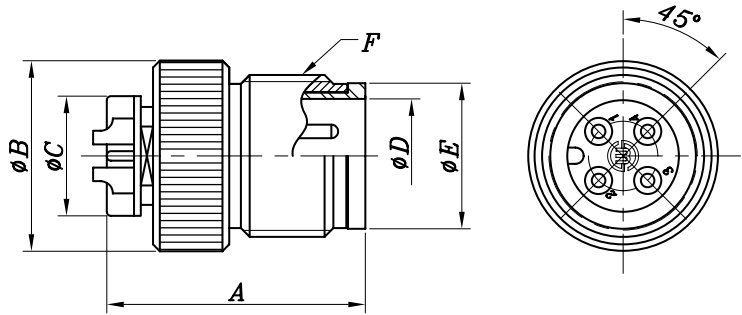
Standard Cable Specifications

Pin Numbers	Wire Color
1	Brown
2	White
3	Blue
4	Black

Specifications subject to change without notice. Consult Sam Woo Electronics for the latest specifications.

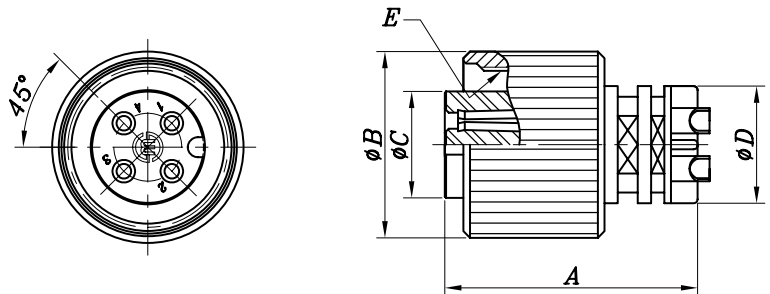
SR Series – SR Jack / Plug / Receptacle

SR-8D-4J



Part Number	A	ØB	ØC	ØD	ØE	F
SR-8D-4J	18.9	14	8.9	8.3	10.7	M12×1.0P

SR-8D-4P



Part Number	A	ØB	ØC	ØD	E
SR-8D-4P	18.9	14	8	9	M12×1.0P

SR Series Mini-map

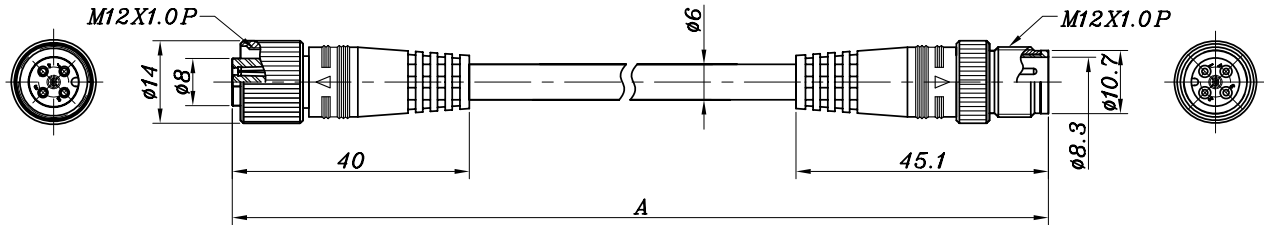


Specifications subject to change without notice. Consult Sam Woo Electronics for the latest specifications.

Cable Assembly

SW-4366

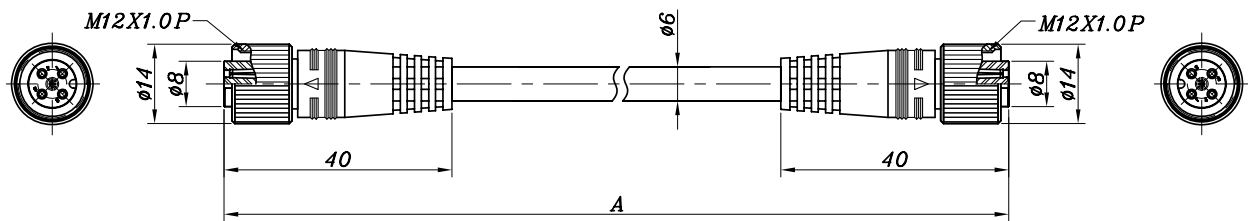
Type A : Plug + Jack



SR-8D-4P + Cable + SR-8D-4J

SW-4369

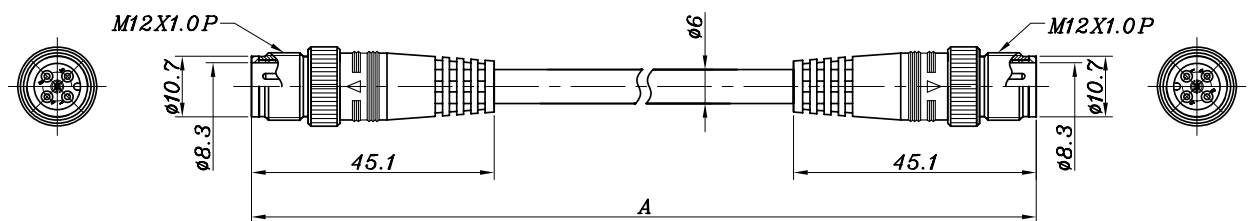
Type B : Plug + Plug



SR-8D-4P + Cable + SR-8D-4P

SW-4370

Type C : Jack + Jack



SR-8D-4J + Cable + SR-8D-4J

Unit : mm

Type A			Type B			Type C		
Part Number	Connector	A	Part Number	Connector	A	Part Number	Connector	A
SW-4366-100	SR-8D-4P + SR-8D-4J	1000	SW-4369-100	SR-8D-4P + SR-8D-4P	1000	SW-4370-100	SR-8D-4J + SR-8D-4J	1000
SW-4366-200	SR-8D-4P + SR-8D-4J	2000	SW-4369-200	SR-8D-4P + SR-8D-4P	2000	SW-4370-200	SR-8D-4J + SR-8D-4J	2000
SW-4366-300	SR-8D-4P + SR-8D-4J	3000	SW-4369-300	SR-8D-4P + SR-8D-4P	3000	SW-4370-300	SR-8D-4J + SR-8D-4J	3000
SW-4366-500	SR-8D-4P + SR-8D-4J	5000	SW-4369-500	SR-8D-4P + SR-8D-4P	5000	SW-4370-500	SR-8D-4J + SR-8D-4J	5000

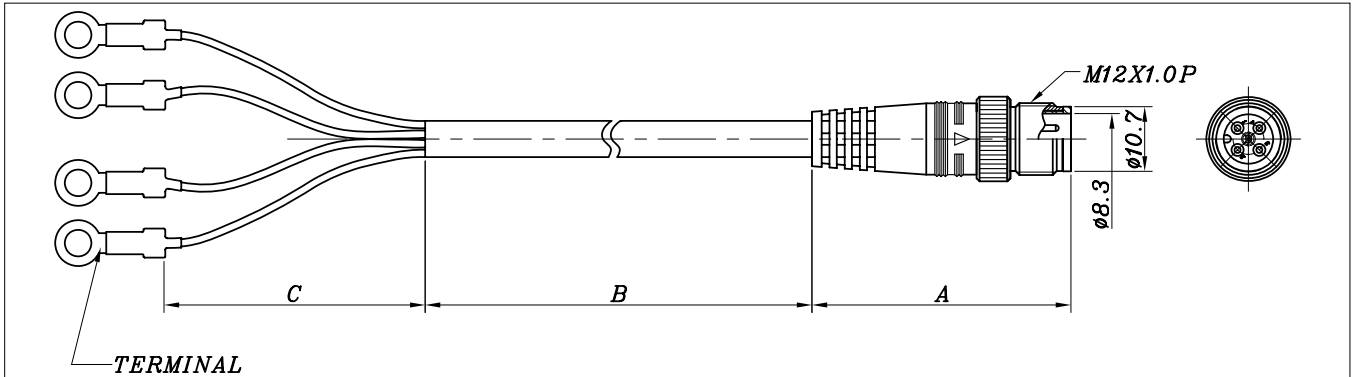
※ Custom lengths available. Consult Sam Woo Electronics.

Specifications subject to change without notice. Consult Sam Woo Electronics for the latest specifications.

Cable Assembly

SW-4120

Jack Connector



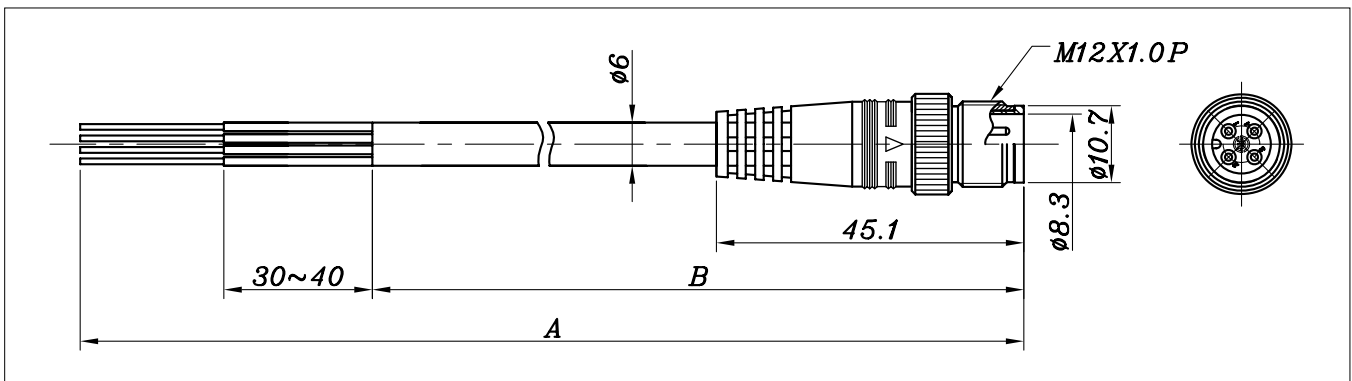
Unit : mm

Part Number	Connector	A	B	C
SW-4120	SR-8D-4J	45.1	305	60

※ Custom lengths available. Consult Sam Woo Electronics.

SW-4367

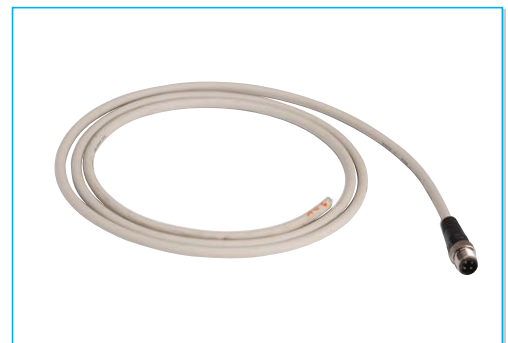
Jack Connector



Unit : mm

Part Number	Connector	A	B
SW-4367-055	SR-8D-4J	550	500
SW-4367-105	SR-8D-4J	1050	1000
SW-4367-220	SR-8D-4J	2200	2150
SW-4367-305	SR-8D-4J	3050	3000
SW-4367-505	SR-8D-4J	5050	5000

※ Custom lengths available. Consult Sam Woo Electronics.

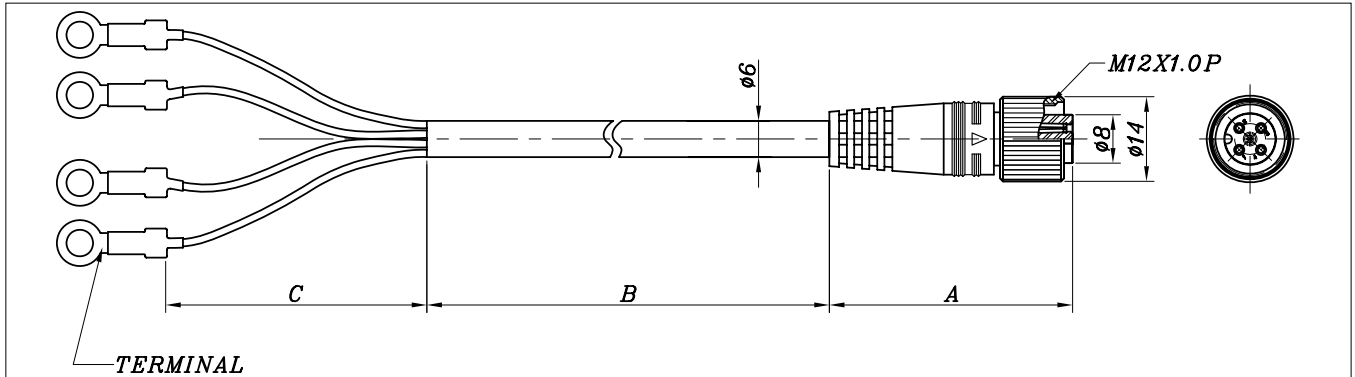


Specifications subject to change without notice. Consult Sam Woo Electronics for the latest specifications.

Cable Assembly

SW-4368

Plug Connector



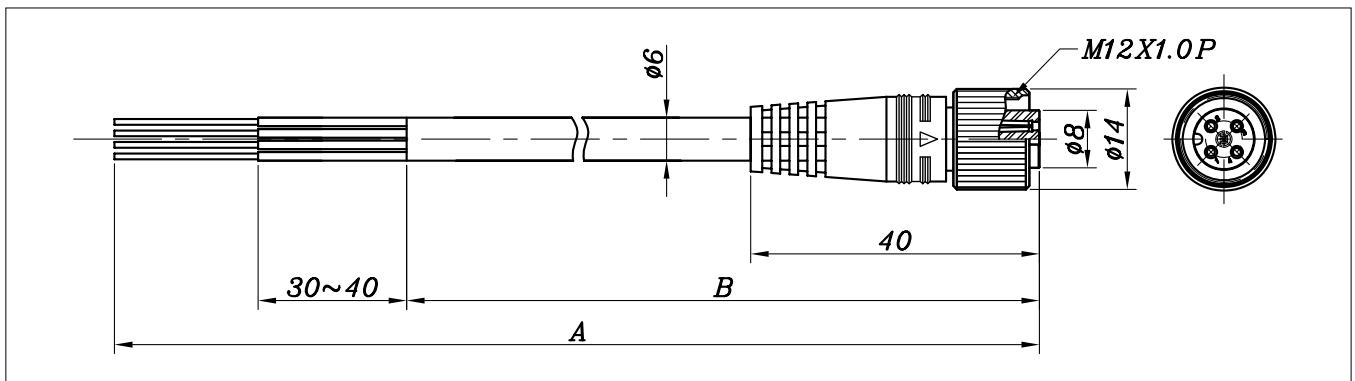
Unit : mm

Part Number	Connector	A	B	C
SW-4368	SR-8D-4P	40	305	60

※ Custom lengths available. Consult Sam Woo Electronics.

SW-4119

Plug Connector



Unit : mm

Part Number	Connector	A	B
SW-4119	SR-8D-4P	4700	4640
SW-4119-055	SR-8D-4P	550	500
SW-4119-105	SR-8D-4P	1050	1000
SW-4119-220	SR-8D-4P	2200	2150
SW-4119-305	SR-8D-4P	3050	3000
SW-4119-505	SR-8D-4P	5050	5000

※ Custom lengths available. Consult Sam Woo Electronics.



Specifications subject to change without notice. Consult Sam Woo Electronics for the latest specifications.